



# »EQUIPPED«

---

Accessories for floor coverings

# For a perfect floor covering

For a long-lasting new floor, it is important to support with the right accessories.

With „EQUIPPED“ Koczwarra offers a range of flooring accessories from impact sound underlay, to skirtings, clip systems, corners and much more. The core competence of Koczwarra lies in the development of innovative and high quality products since 2002. Flexible production allows us to respond to market trends at any time.

With the “EQUIPPED” range, you will find everything you need to add those all-important, professional looking finishing touches. For the perfect flooring finish you need more than just the perfect floor, discover Koczwarra’s “EQUIPPED“ accessories range.



OUR IMPACT NOISE UNDERLAYS  
ARE PLASTICIZER-FREE!



- ✓ pleasant room  
ambience
- ✓ beautiful  
appearance
- ✓ protection of floor
- ✓ warm feet
- ✓ high durability
- ✓ security

## Content

Impact sound – Requirements	4
Impact sound insulations for laminate & parquet floors	8
Impact sound insulations for click-vinyl & design floors	12
Aqua Protect vapour barrier & alu tape	14
Assortment overview – laminate & parquet underlays	16
Assortment overview – vinyl & design floor underlays	18
Skirtings, corners, connectors & end caps	20

# Proven quality

Impact sound underlays create the perfect barrier between your new floor and the subfloor underneath, easing the daily stresses and supporting the longevity of your floor. Our products meet all the requirements of the EPLF (Association of European Laminate Flooring Manufacturers) and the MMFA (Association of Multilayer Modular Flooring).



## THERMAL RESISTANCE (R) – FLOOR HEATING

For rooms with underfloor heating, the thermal resistance of the underlay should be as low as possible (e.g. 0.01  $s^{qm} K/W$ ) so that the heat can be evenly distributed. The lower the thermal resistance, the more suitable the impact sound underlay is for use with underfloor heating systems.

OUR RECOMMENDATION FOR LAMINATE



0.01  $sqmK/W$

OUR RECOMMENDATION FOR VINYL



0.0145  $sqmK/W$

OUR RECOMMENDATION FOR LAMINATE



0.075  $sqmK/W$

OUR RECOMMENDATION FOR VINYL



0.03  $sqmK/W$



## THERMAL RESISTANCE (R) – HEAT INSULATION

Rooms that are above a basement or a garage require impact sound underlay with with the highest possible thermal resistance (e.g. 0.075  $s^{qm} K/W$ ) to ensure thermal insulation. The greater the thermal resistance, the greater the thermal insulation.



## WALKING SOUND (RWS)



The sound that is created as you walk through a room on your floor. The higher the reduction of the walking sound (%), the better the room acoustics.

OUR RECOMMENDATION FOR LAMINATE



30 %

OUR RECOMMENDATION FOR VINYL



40 %

## FOOTSTEP SOUND (IS)



This refers to the noise created by your footsteps in one room that can be heard in another, usually the rooms below. This is a particularly important consideration within busy multi-storey family homes. The higher the value of the impact sound underlay, the more effective it will be in reducing this residual noise in other rooms in your home.

OUR RECOMMENDATION FOR LAMINATE



19 dB

OUR RECOMMENDATION FOR VINYL



18 dB

# Long live the ground

Not only does impact sound underlay reduce the level of footstep sound noise as you walk through your home and support better heat distribution and insulation, it also offers greater protection and support for the floor from heavy and falling objects by cushioning the impact and weight. Furthermore, it balances out a certain level of unevenness and offers protection from rising moisture.



## FIRE BEHAVIOUR (RTF)

Impact sound underlays can be classified by various fire protection certificates. The higher the fire protection certificate (e.g., Bfl-s1) the less flame retardant the material is. This is of particular importance for use in public areas such as: events centres, exhibition centres construction sites and theatres.

OUR RECOMMENDATION FOR LAMINATE



Bfl – S1

OUR RECOMMENDATION FOR VINYL



Bfl – S1



## COMPENSATION OF UNEVENNESS (PC)

If the ground is uneven by screed grains, minor unevenness can be compensated by the use of impact sound underlay. The higher the PC value, the better the ability to compensate.

OUR RECOMMENDATION FOR LAMINATE



1.6 mm

OUR RECOMMENDATION FOR VINYL



> 0.5 mm

OUR RECOMMENDATION FOR LAMINATE



215 kPa

OUR RECOMMENDATION FOR VINYL



> 750 kPa



## MOISTURE PROTECTION (SD)

A floor must always be protected from moisture if the floor is laid on a mineral substrate (such as screed), as this may contain residual moisture (albeit low). The higher the SD value, the better the impact sound underlay protects the floor from damage caused by rising damp.

TIP: Optimum protection through the use of the 1021 Aqua Protect vapour barrier and the 1022 Alu tape.

OUR RECOMMENDATION FOR LAMINATE



> 75 m

OUR RECOMMENDATION FOR VINYL



> 75 m



## DYNAMIC LOAD (DL)

The dynamic loads arise, for example from walking. The higher the value (measured in cycles), the longer the impact sound underlay can withstand the stresses without changing its properties.

OUR RECOMMENDATION FOR LAMINATE



> 2.500.000 Cycles

OUR RECOMMENDATION FOR VINYL



> 3.000.000 Cycles



## PRESSURE STRESS (CS)

To ease the stress on the floor and the pressure on the floors connection system it is important to utilise a high compressive strength. The higher the pressure load, the better the impact sound underlay protects the floors connection system and the longevity of a floor.



100% RECYCLABLE

### 1002 BASIC FOAM 2 mm

Thickness	2.00 mm
Content	1 x 25 m = 25 sqm
Material	Polyethylene (PE)
Area of application	Laminate and parquet floors
Footstep sound insulation (IS)	★ ★ ★ 18 dB
Underfloor heating suitable (R)	★ ★ ★ 0.038 sqm K/W

#### PRODUCT HIGHLIGHTS\*

- Very good footstep sound insulation
- Very good suitable for underfloor heating



100% RECYCLABLE

### 1003 BASIC FOAM 3 mm

Thickness	3.00 mm
Content	1 x 25 m = 25 sqm
Material	Polyethylene (PE)
Area of application	Laminate and parquet floors
Footstep sound insulation (IS)	★ ★ ★ 19 dB
Compensation of unevenness (PC)	★ ★ ★ >1.00 mm

#### PRODUCT HIGHLIGHTS\*

- Very good footstep sound insulation
- Very good compensation of unevenness



MOISTURE PROTECTION

### 1014 BASIC FOAM PLUS

Thickness	2.00 mm
Content	1 x 15 m = 15 sqm
Material	Polyethylene (PE) / Aluminum (Alu)
Area of application	Laminate and parquet floors
Footstep sound insulation (IS)	★ ★ ★ 18 dB
Moisture protection (SD)	★ ★ ★ ★ > 75 m
Compensation of unevenness (PC)	★ ★ ★ ★ 1.55 mm

#### PRODUCT HIGHLIGHTS\*

- Very good footstep sound insulation
- Excellent protection against rising damp thanks to integrated vapor barrier
- Excellent compensation of unevenness

### 1017 PREMIUM FOAM GREY

Thickness	2.00 mm
Content	1 x 25 m = 25 sqm
Material	Polyethylene (PE)
Area of application	Laminate and parquet floors
Footstep sound insulation (IS)	★ ★ ★ 19 dB
Underfloor heating suitable (R)	★ ★ ★ 0.038 sqm K/W
Compensation of unevenness (PC)	★ ★ ★ ★ ≥ 1.40 mm

#### PRODUCT HIGHLIGHTS\*

- Very good footstep sound insulation
- Very good suitable for underfloor heating
- Excellent compensation of unevenness



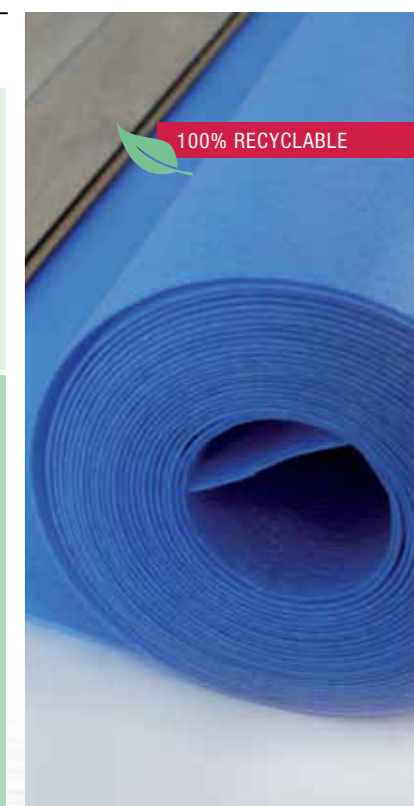
100% RECYCLABLE

### 1018 PREMIUM FOAM BLUE

Thickness	2.00 mm
Content	1 x 25 m = 25 sqm
Material	Polyethylene (PE)
Area of application	Laminate and parquet floors
Footstep sound insulation (IS)	★ ★ ★ 19 dB
Walking sound insulation (RWS)	★ ★ ★ 20 %
Underfloor heating suitable (R)	★ ★ ★ 0.038 sqm K/W
Pressure stress (CS)	★ ★ ★ 60 kPa
Compensation of unevenness (PC)	★ ★ ★ ★ ≥ 1.30 mm
Dynamic load (DL)	★ ★ ★ > 100,000 Cycles

#### PRODUCT HIGHLIGHTS\*

- Very good footstep sound insulation
- Very good reduction of walking noise
- Very good suitable for underfloor heating
- For heavy used rooms
- Excellent compensation of unevenness
- Very good resistance to dynamic loads



100% RECYCLABLE



### 1010 BASIC SILENT

Thickness	2.00 mm
Content	1.1 x 15 m = 16.5 sqm
Material	XPS foam
Area of application	Laminate and parquet floors
Footstep sound insulation (IS)	★ ★ ★ 19 dB
Thermal resistance (R)	★ ★ ★ 0.075 sqm K/W
Pressure stress (CS)	★ ★ ★ 90 kPa
Dynamic load (DL)	★ ★ ★ > 250,000 Cycles

#### PRODUCT HIGHLIGHTS\*

- Very good footstep sound insulation
- Very good heat insulation
- For heavy used rooms
- Very good resistance to dynamic loads



### 1004 SILENCED BOARD

Thickness	4.00 mm
Content	15 plates à 0.59 x 0.79 m = 7 sqm
Material	wood fiber
Area of application	Laminate and parquet floors
Footstep sound insulation (IS)	★ ★ ★ 19 dB
Pressure stress (CS)	★ ★ ★ ★ 147 kPa
Compensation of unevenness (PC)	★ ★ ★ ★ 1.6 mm
Dynamic load (DL)	★ ★ ★ > 150,000 Cycles

#### PRODUCT HIGHLIGHTS\*

- Very good footstep sound insulation
- For very strong used rooms
- Excellent compensation of unevenness
- Very good resistance to dynamic loads



### 1006 PREMIUM SOUND

Thickness	1.8 mm
Content	1 x 8.5 m = 8.5 sqm
Material	Polyurethane (PU) / Aluminum (Alu)
Area of application	Laminate and parquet floors
Footstep sound insulation (IS)	★ ★ ★ 18 dB
Walking sound insulation (RWS)	★ ★ ★ 25 %
Underfloor heating suitable (R)	★ ★ ★ ★ 0.01 sqm K/W
Moisture protection (SD)	★ ★ ★ ★ > 75 m
Pressure stress (CS)	★ ★ ★ ★ 215 kPa
Compensation of unevenness (PC)	★ ★ ★ 1.02 mm
Dynamic load (DL)	★ ★ ★ ★ > 2,500,000 Cycles

#### PRODUCT HIGHLIGHTS\*

- Very good footstep sound insulation
- Very good reduction of walking noise
- Excellent suitable for underfloor heating
- Excellent protection against rising damp thanks to integrated vapor barrier
- For very strong used rooms
- Very good compensation of unevenness
- Excellent resistance to dynamic loads

MADE IN GERMANY



### 1023 SUPERIOR PREMIUM SOUND

Thickness	2.8 mm
Content	1 x 5.5 m = 5.5 sqm
Material	Polyurethane (PU) / Aluminum (Alu)
Area of application	Laminate and parquet floors
Footstep sound insulation (IS)	★ ★ ★ 19 dB
Walking sound insulation (RWS)	★ ★ ★ 30 %
Underfloor heating suitable (R)	★ ★ ★ ★ 0.01 sqm K/W
Moisture protection (SD)	★ ★ ★ ★ > 75 m
Pressure stress (CS)	★ ★ ★ ★ 120 kPa
Compensation of unevenness (PC)	★ ★ ★ ★ 1.70 mm
Dynamic load (DL)	★ ★ ★ > 100,000 Cycles

#### PRODUCT HIGHLIGHTS\*

- Very good footstep sound insulation
- Very good reduction of walking noise
- Excellent suitable for underfloor heating
- Excellent protection against rising damp thanks to integrated vapor barrier
- For very strong used rooms
- Excellent compensation of unevenness
- Very good resistance to dynamic loads

MADE IN GERMANY





### 1016 SOFT SOUND

**PRODUCT HIGHLIGHTS\***

- Very good footstep sound insulation
- Excellent suitable for underfloor heating
- For very strong used rooms

Thickness	1.2 mm
Content	1 x 15 m = 15 sqm
Material	Polyester fiber fleece
Area of application	Click-vinyl floors / design floors
Footstep sound insulation (IS)	★ ★ ★ 18 dB
Underfloor heating suitable (R)	★ ★ ★ ★ 0.024 sqm K/W
Pressure stress (CS)	★ ★ ★ ★ 400 kPa



### 1012 PRO SOUND

**PRODUCT HIGHLIGHTS\***

- Very good footstep sound insulation
- Very good suitable for underfloor heating
- Excellent protection against rising damp
- For heavy used rooms
- Very good resistance to dynamic loads

Thickness	1.00 mm
Content	1.18 x 8.5 m = 10.03 sqm
Material	XPS / PET
Area of application	Click-vinyl floors / designfloors
Footstep sound insulation (IS)	★ ★ ★ 15.5 dB
Underfloor heating suitable (R)	★ ★ ★ 0.03 sqm K/W
Moisture protection (SD)	★ ★ ★ ★ > 75 m
Pressure stress (CS)	★ ★ ★ 392 kPa
Dynamic load (DL)	★ ★ ★ > 100,000 Cycles



### 1019 V-PROTECT

**PRODUCT HIGHLIGHTS\***

- Very good footstep sound insulation
- Excellent suitable for underfloor heating
- For heavy used rooms
- Very good resistance to dynamic loads

Thickness	1.00 mm
Content	1 x 15 m = 15 sqm
Material	Polyethylene (PE)
Area of application	Click-vinyl floors
Footstep sound insulation (IS)	★ ★ ★ ≥ 18 dB
Underfloor heating suitable (R)	★ ★ ★ ★ 0.0145 sqm K/W
Pressure stress (CS)	★ ★ ★ > 200 kPa
Dynamic load (DL)	★ ★ ★ ≥ 100,000 Cycles



## Other accessories



100% RECYCLABLE & PLASTICIZER FREE

MOISTURE PROTECTION

### 1009 V-SOUND

Thickness	1.00 mm
Content	1 x 12.5 m = 12.5 sqm
Material	Polyolefin (PO)
Area of application	Click-vinyl floors / design floors
Footstep sound insulation (IS)	★ ★ ★ 18 dB
Walking sound insulation (RWS)	★ ★ ★ ★ 40%
Underfloor heating suitable (R)	★ ★ ★ ★ 0.02 sqm K/W
Moisture protection (SD)	★ ★ ★ ★ > 75 m
Pressure stress (CS)	★ ★ ★ ★ 490 kPa
Dynamic load (DL)	★ ★ ★ > 250,000 Cycles

#### PRODUCT HIGHLIGHTS\*

- ☑ Very good footstep sound insulation
- ☑ Very good reduction of walking noise
- ☑ Excellent suitable for underfloor heating
- ☑ Excellent protection against rising damp
- ☑ For very strong used rooms
- ☑ Very good resistance to dynamic loads



90% OF NATURAL RAW MATERIALS

### 1020 V-PREMIUM SOUND

Thickness	1.00 mm
Content	1 x 10 m = 10 sqm
Material	Polyurethane (PU) / fleece
Area of application	Click-vinyl floors / design floors
Footstep sound insulation (IS)	★ ★ ★ up to 15 dB
Walking noise reduction	★ ★ ★ up to 12 %
Underfloor heating suitable (R)	★ ★ ★ ★ 0.01 sqm K/W
Pressure stress (CS)	★ ★ ★ ★ > 750 kPa
Dynamic load (DL)	★ ★ ★ ★ > 3,000,000 Cycles

#### PRODUCT HIGHLIGHTS\*

- ☑ Very good footstep sound insulation
- ☑ Excellent reduction of impact walking noise
- ☑ Excellent suitable for underfloor heating
- ☑ For very strong used rooms
- ☑ Excellent resistance to dynamic loads

MADE IN GERMANY



www.blauer-engel.de/uz156

The Aqua Protect is a thin vapour barrier that can be installed under all hard floors. It separates the floor covering from the screed and prevents moisture from rising from the substrate and damaging the floor covering.

### 1021 AQUA PROTECT

EAN	4250055109319
Thickness	160µ
Content	15 x 2 m = 30 sqm
Grammage	0.14 kg/sqm
Material	LDPE-Film (Soft-Polyethylene)
Packaging	Roll
Pallet size	100 Rolls = 3.000 sqm
Underfloor heating suitable (R)	0.001 sqm K/W
Moisture protection (SD)	> 100 m



The aluminium tape is a special sealing tape to seal the edges of underlay. Furthermore, it is necessary for all underlay with an integrated vapour barrier.

### 1022 ALU TAPE

EAN	4250055109326
Thickness	0.05 mm
Content	0.038 x 20 m = 0.76 sqm
Grammage	0.14 kg/sqm
Material	PP film
Packaging	Roll
Pallet size	4.608 Rolls = 3.502 sqm



## Seals & certificates



www.blauer-engel.de/uz156

#### BLUE ANGEL

The world's most successful eco-label guarantees that "EQUIPPED" products meet the high standards of environmental, health and performance characteristics and are particularly low in emissions.



#### A+

EQUIPPED products are classified as A + according to the VOC emission standard.



Assortment overview  
**LAMINATE & PARQUET UNDERLAYS**



**1002 BASIC FOAM 2MM**    **1003 BASIC FOAM 3MM**    **1014 BASIC FOAM PLUS**    **1017 PREMIUM FOAM GREY**

<b>Product</b>	<b>EAN</b>	4250055105007	4250055109333	4250055106424	4250055109272
	<b>Thickness</b>	2.00 mm	3.00 mm	2.00 mm	2.00 mm
	<b>Content</b>	1 x 25 m = 25 sqm	1 x 25 m = 25 sqm	1 x 15 m = 15 sqm	1 x 25 m = 25 sqm
	<b>Grammage</b>	0.04 kg/sqm	0.06 kg/sqm	0.07 kg/sqm	0.14 kg/sqm
	<b>Material</b>	Polyethylene (PE)	Polyethylene (PE)	Polyethylene (PE) / Aluminium (Alu)	Polyethylene (PE)
	<b>Area of application</b>	Laminate and parquet floors	Laminate and parquet floors	Laminate and parquet floors	Laminate and parquet floors
	<b>Packaging</b>	Roll	Roll	Roll	Roll
	<b>Pallet size</b>	40 Rolls = 1.000 sqm	36 Rolls = 900 sqm	24 Rolls = 360 sqm	32 Rolls = 800 sqm
<b>Acoustics</b>	<b>Footstep sound insulation (IS)</b>	18 dB	19 dB	18 dB	19 dB
	<b>Walking sound insulation (RWS)</b>	–	–	–	7%
<b>Usage</b>	<b>Pressure stress (CS)</b>	10 kPa	10 kPa	10 kPa	50 kPa
	<b>Dynamic load (DL)</b>	–	–	< 10,000 Cycles	> 50,000 Cycles
	<b>Fire behavior (RTF)</b>	Efl	Efl	Efl	Efl
<b>Under-ground</b>	<b>Thermal-resistance (R)</b>	0.038 sqm K/W	0.057 sqm K/W	0.05 sqm K/W	0.038 sqm K/W
	<b>Compensation of unevenness (PC)</b>	–	> 1.00 mm	1.55 mm	≥ 1.40 mm
	<b>Moisture protection (SD)</b>	–	–	> 75 m	–

Assortment overview  
**LAMINATE & PARQUET UNDERLAYS**



**1018 PREMIUM FOAM BLUE**    **1010 BASIC SILENT**    **1004 SILENCED BOARD**    **1006 PREMIUM SOUND**    **1023 SUPERIOR PREMIUM SOUND**

<b>Product</b>	<b>EAN</b>	4250055109289	4250055104345	4250055105038	4250055101900	4250055109654
	<b>Thickness</b>	2.00 mm	2.00 mm	4.00 mm	1.80 mm	2.80 mm
	<b>Content</b>	1 x 25 m = 25 sqm	1.1 x 15 m = 16.5 sqm	15 plates à 0.59 x 0.79 m = 7 sqm	1 x 8.5 m = 8.5 sqm	1 x 5.5 m = 5.5 sqm
	<b>Grammage</b>	0.20 kg/sqm	0.09 kg/sqm	1.28 kg/sqm	1.50 kg/sqm	2.40 kg/sqm
	<b>Material</b>	Polyethylene (PE)	XPS foam	Wood fiber	Polyurethane (PU) / Aluminium (Alu)	Polyurethane (PU) / Aluminium (Alu)
	<b>Area of application</b>	Laminate and parquet floors	Laminate and parquet floors	Laminate and parquet floors	Laminate and parquet floors	Laminate and parquet floors
	<b>Packaging</b>	Roll	Roll	Plate	Roll	Roll
	<b>Pallet size</b>	24 Rolls = 360 sqm	24 Rolls = 396 sqm	32 Packs = 223.73 sqm	40 Rolls = 340 sqm	40 Rolls = 220 sqm
<b>Acoustics</b>	<b>Footstep sound insulation (IS)</b>	19 dB	19 dB	19 dB	18 dB	19 dB
	<b>Walking sound insulation (RWS)</b>	20%	14%	–	25%	30%
<b>Usage</b>	<b>Pressure stress (CS)</b>	60 kPa	90 kPa	147 kPa	215 kPa	120 kPa
	<b>Dynamic load (DL)</b>	> 100,000 Cycles	> 250,000 Cycles	> 150,000 Cycles	> 2.500,000 Cycles	> 100,000 Cycles
	<b>Fire behavior (RTF)</b>	Efl	Efl	Efl	Bfl-S1	Bfl-S1
<b>Under-ground</b>	<b>Thermal-resistance (R)</b>	0.038 sqm K/W	0.075 sqm K/W	0.06 sqm K/W	0.01 sqm K/W	0.01 sqm K/W
	<b>Compensation of unevenness (PC)</b>	≥ 1.30 mm	1.00 mm	1.60 mm	1.02 mm	1.70 mm
	<b>Moisture protection (SD)</b>	–	–	–	> 75 m	> 75 m



**1016  
SOFT SOUND**

**1012  
PRO SOUND**

<b>Product</b>	<b>EAN</b>	4250055108466	4250055105366
	<b>Thickness</b>	1.20 mm	1.00 mm
	<b>Content</b>	1 x 15 m = 15 sqm	1.18 x 8.5 m = 10.03 sqm
	<b>Grammage</b>	0.15 kg/sqm	0.192 kg/sqm
	<b>Material</b>	Polyester fiber fleece	XPS / PET
	<b>Area of application</b>	click-vinyl floors / design floors	click-vinyl floors / design floors
	<b>Packaging</b>	Roll	Folding plate
	<b>Pallet size</b>	40 Rolls = 600 sqm	42 Pack = 421.26 sqm
<b>Acoustics</b>	<b>Footstep sound insulation (IS)</b>	18 dB	15 dB
	<b>Walking sound insulation (RWS)</b>	–	–
<b>Usage</b>	<b>Pressure stress (CS)</b>	400 kPa	400 kPa
	<b>Dynamic load (DL)</b>	–	> 400,000 Cycles
	<b>Fire behavior (RTF)</b>	Efl	Efl
<b>Under-ground</b>	<b>Thermal-resistance (R)</b>	0.024 sqm K/W	0.03 sqm K/W
	<b>Compensation of unevenness (PC)</b>	> 0.50 mm	0.80 mm
	<b>Moisture protection (SD)</b>	–	> 75 m



**1019  
V-PROTECT**

**1009  
V-SOUND**

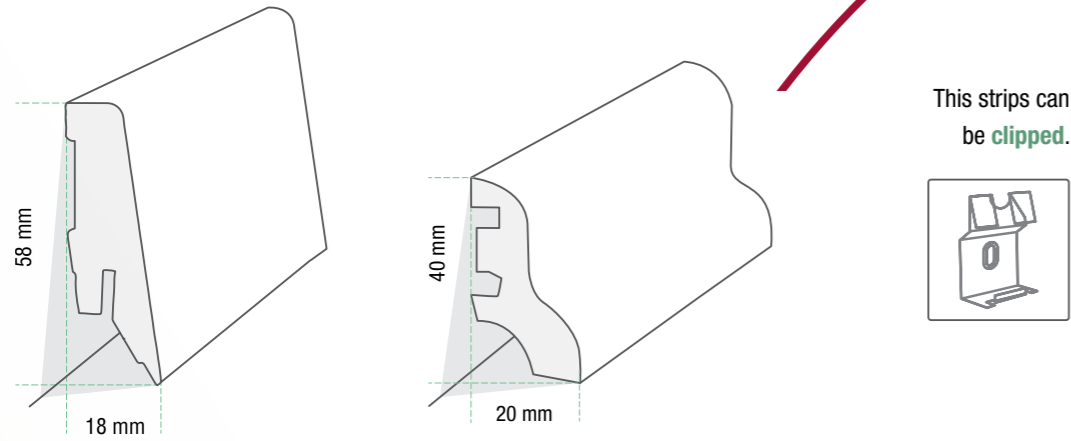
**1020  
V-PREMIUM SOUND**

	4250055109296	4250055104338	4250055112715	<b>EAN</b>	
	1.00 mm	1.00 mm	1.00 mm	<b>Thickness</b>	
	1 x 15 m = 15 sqm	1 x 12.5 m = 12.5 sqm	1 x 10 m = 10 sqm	<b>Content</b>	
	0.30 kg/sqm	0.23 kg/sqm	1.20 kg/sqm	<b>Grammage</b>	
	Polyethylene (PE)	Polyolefin (PO)	Polyurethane (PU) / fleece	<b>Material</b>	<b>Product</b>
	click-vinyl floors	click-vinyl floors / design floors	click-vinyl floors / design floors	<b>Area of application</b>	
	Roll	Roll	Roll	<b>Packaging</b>	
	40 Rolls = 600 sqm	64 Rolls = 800 sqm	54 Rolls = 540 sqm	<b>Pallet size</b>	
	≥ 18 dB	18 dB	up to 15 dB	<b>Footstep sound insulation (IS)</b>	<b>Acoustics</b>
	6 %	40 %	up to 12 %	<b>Walking sound insulation (RWS)</b>	
	≥ 200 kPa	490 kPa	> 750 kPa	<b>Pressure stress (CS)</b>	
	≥ 100,000 Cycles	> 250,000 Cycles	> 3,000,000 Cycles	<b>Dynamic load (DL)</b>	<b>Usage</b>
	Efl	Efl	Efl	<b>Fire behavior (RTF)</b>	
	0.0145 sqm K/W	0.02 sqm K/W	0.01 sqm K/W	<b>Thermal-resistance (R)</b>	
	0.50 mm	≥ 0.50 mm	≈ 0.20 mm	<b>Compensation of unevenness (PC)</b>	<b>Under-ground</b>
	–	> 75 m	–	<b>Moisture protection (SD)</b>	

# For the perfect finish

A beautiful floor is only complete when the fitting along the walls is correct. Therefore, each CHECK and JANGAL floor has a decorative trim bar that allows you to make a cable disappear behind it. The matching skirting boards are available in a height of 40 mm or 58 mm.

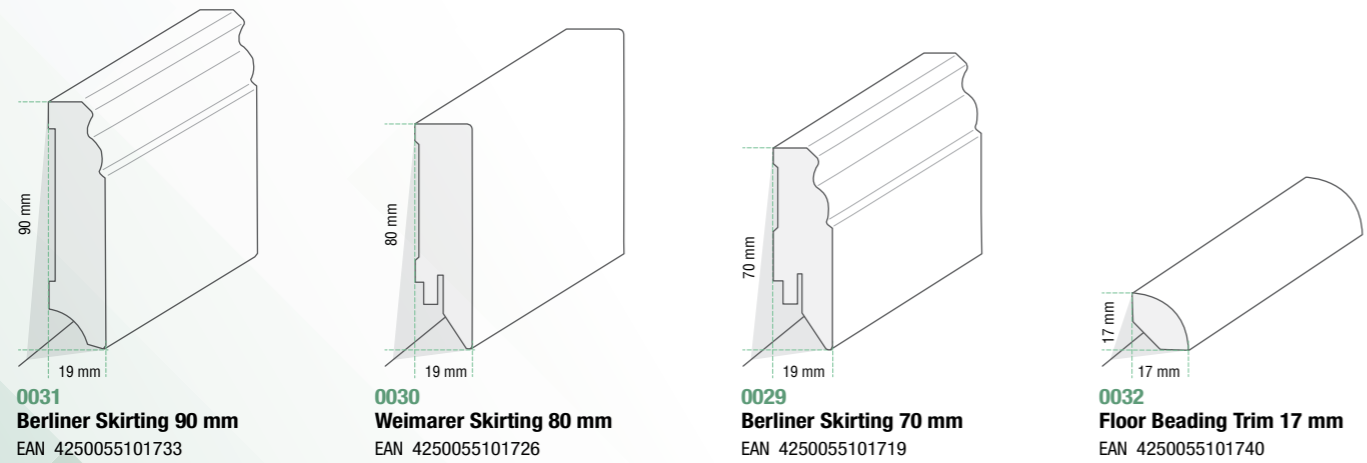
Identical skirtings are available in the following versions (length 2.400 mm each):



In addition, both skirtings are also available as **white ones** (length 2.400 mm each):

- 0027 Skirting white 58 mm**  
EAN 4250055101405
- 0026 Skirting white 40 mm**  
EAN 4250055101221

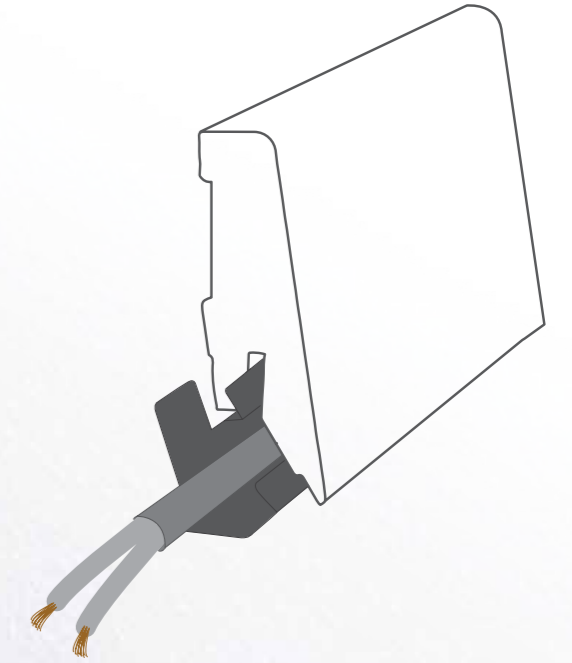
We have **white skirtings** available in the following versions with a length from 2.500 mm:



All skirtings can be **glued**.



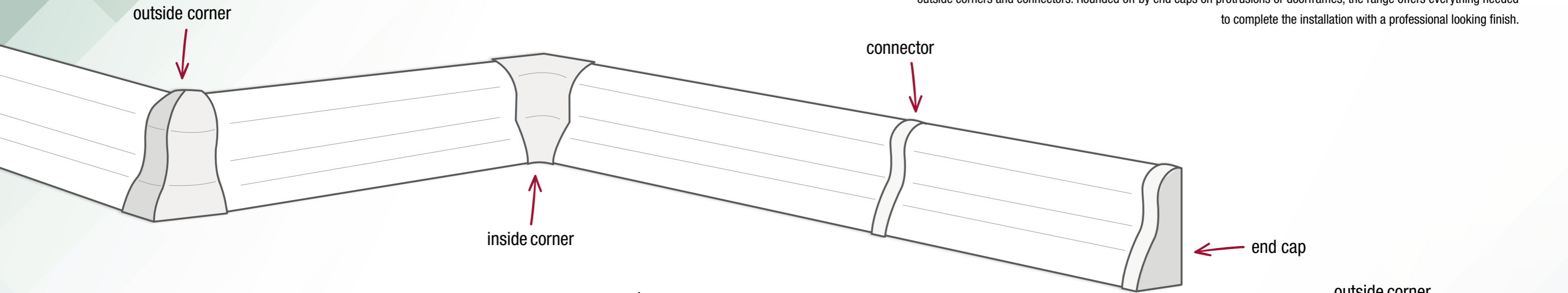
**Clip systems** help to secure the skirtings to the wall while cabling can be elegantly hidden behind the skirtings. If the baseboards need to be removed, it is possible to do so without damaging the wallpaper. Due to the quick and easy disassembly, the flooring can be cut without issue.



- Authentic wood and stone looks
- Different heights / with or without groove
- White and decor-like skirtings
- Shock and scratch resistant

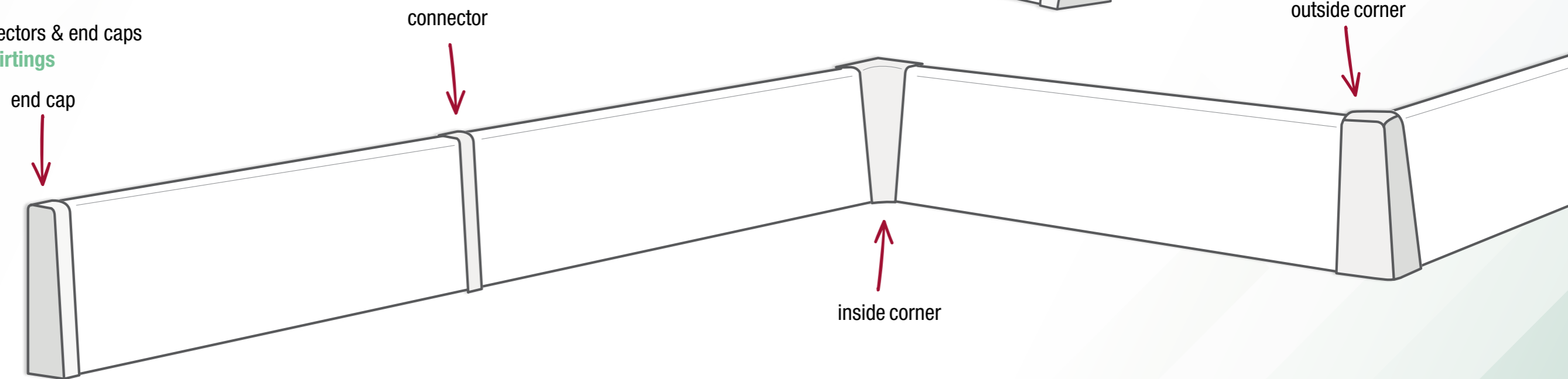
# Corners, connectors & end caps

Corners, connectors & end caps  
for 40 mm skirtings



In order to avoid unsightly bumps from side-by-side strips or to save on mitring, we recommend installing inside or outside corners and connectors. Rounded off by end caps on protrusions or doorframes, the range offers everything needed to complete the installation with a professional looking finish.

Corners, connectors & end caps  
for 58 mm skirtings



All corners, connectors and end caps are available in the following colours:

- Maple
- Beech
- Oak
- Walnut
- Grey
- Silver Grey
- Black
- White

# »EQUIPPED«

**Our team is here for you.**

Send us your requirements and  
we will solve them.

Our logistics and sales network  
can handle almost any task.

**EQUIPPED** is a brand of:

Koczvara Vertriebs-GmbH  
Scheuten-Solar-Str. 2  
45881 Gelsenkirchen  
Germany

